



# FONDIS

être différent \_\_\_\_\_



## Installation guide & User guide

(please keep)

# Ulys<sup>®</sup>

### INDICATIONS PLACED ON THE NAMEPLATE FOUND ON THE APPLIANCE

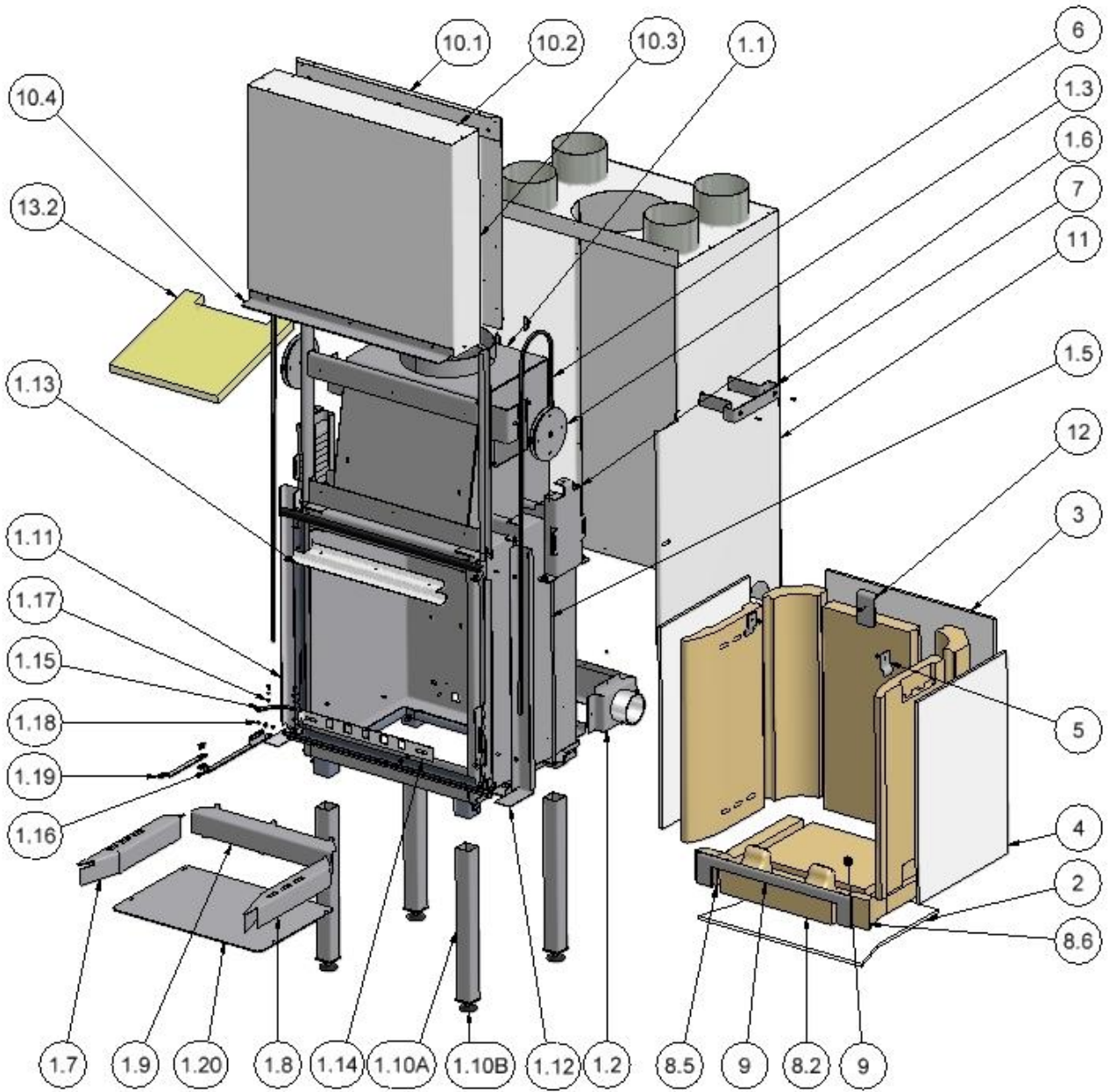
- Model : .....
- Series number : .....
- Date of purchase : .....

**IMPORTANT :**

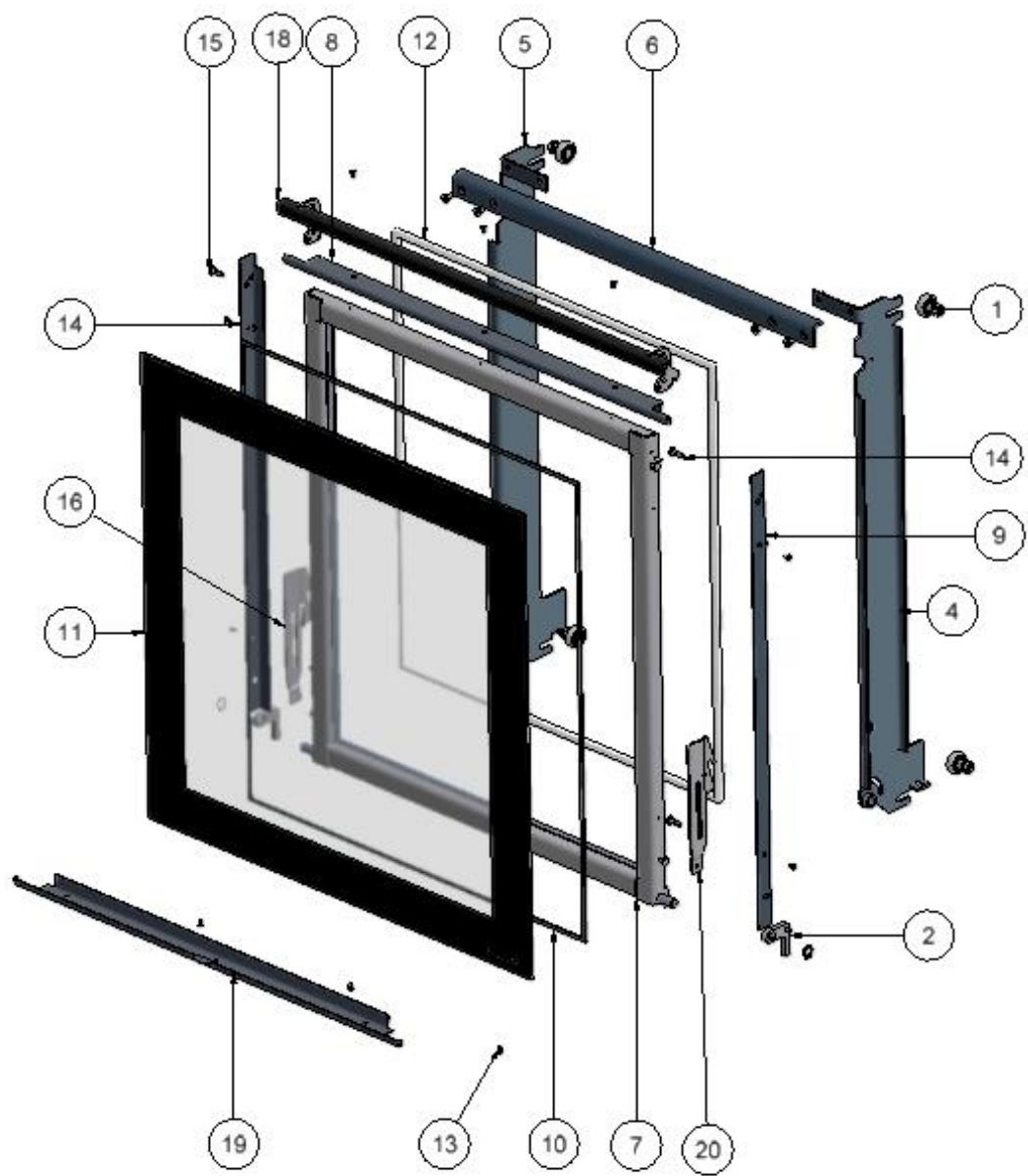
*IT IS RECOMMENDED TO NOTE THE SERIAL NUMBER AND TO WRITE IT DOWN IN THE BOX ABOVE. IT WILL BE NECESSARY FOR ORDERING SPARE PARTS.*

Réf :

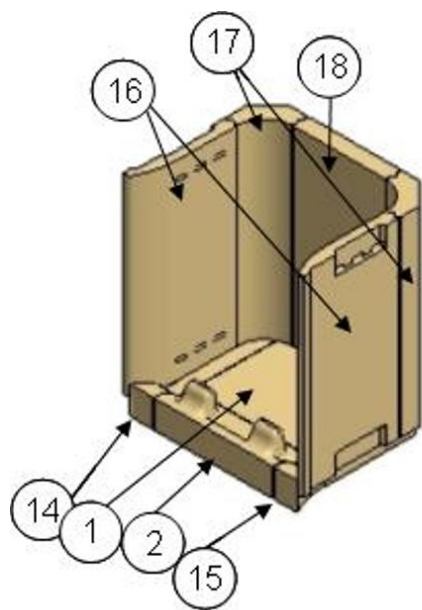
01/2012



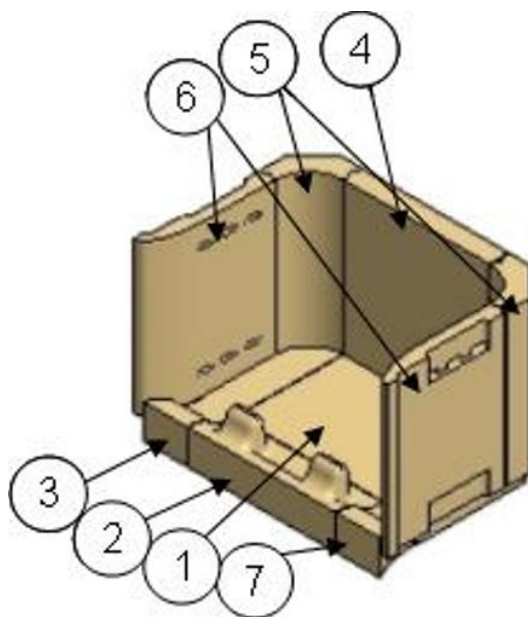




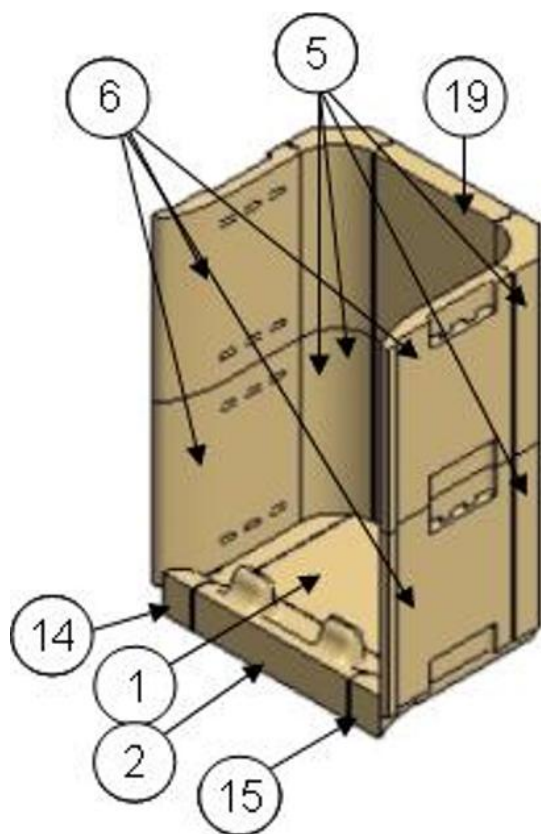




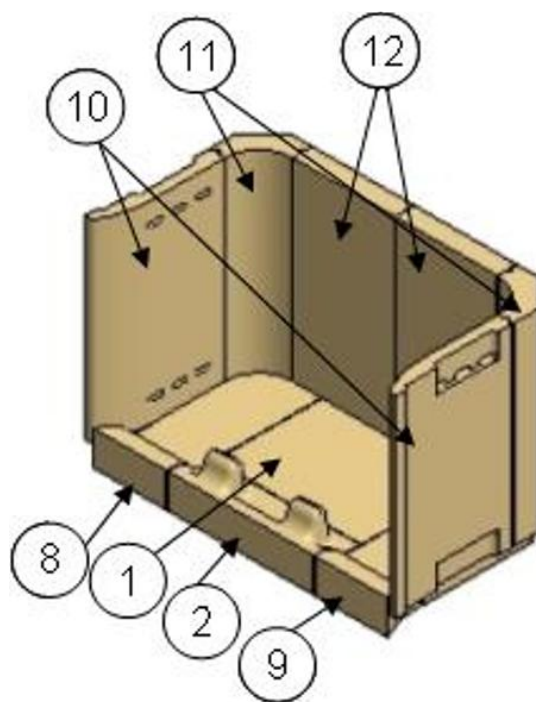
ULYS600



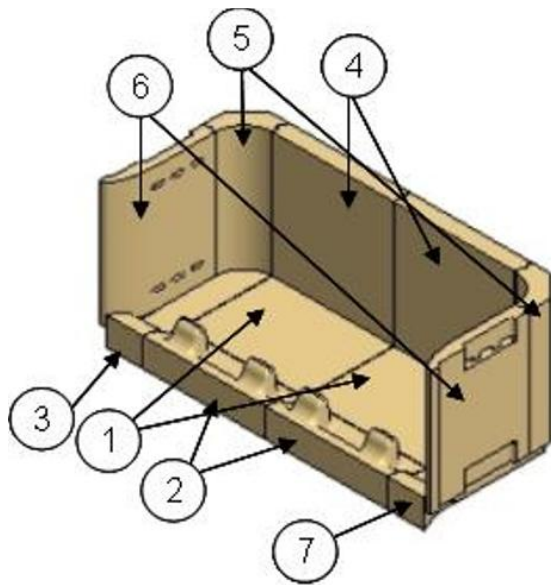
ULYS700



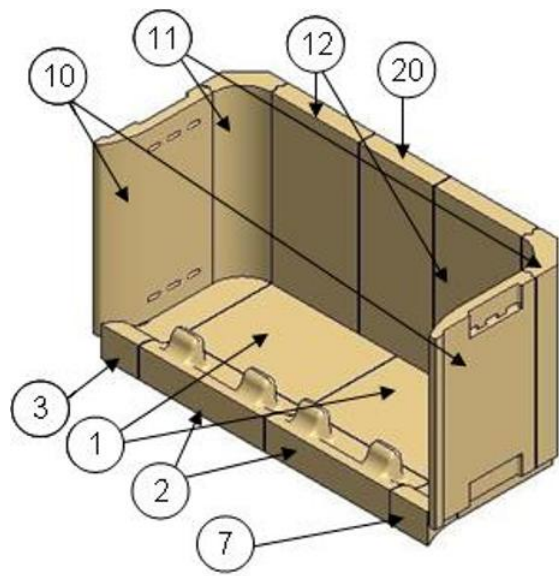
ULYS800V



ULYS900



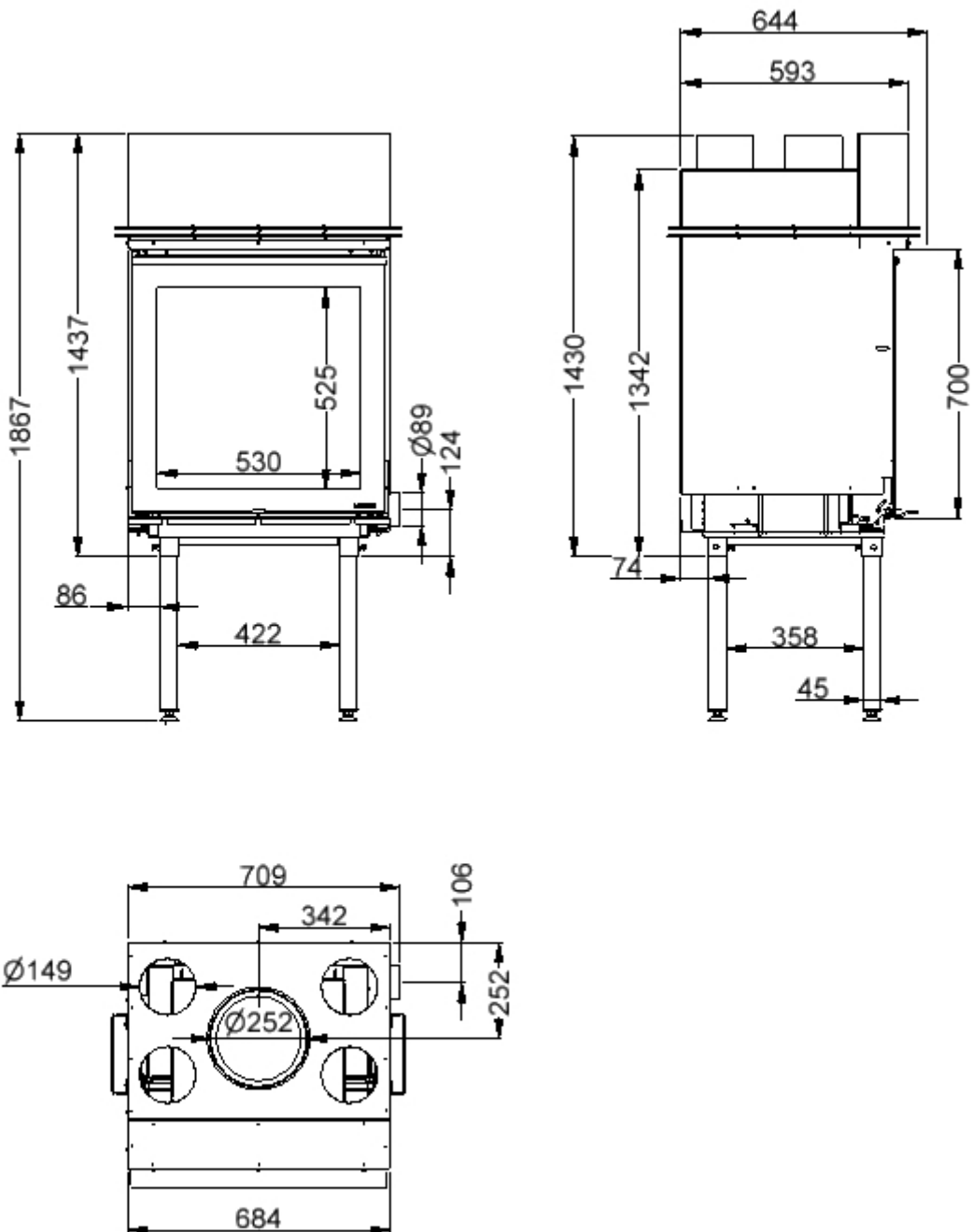
ULYS1100



ULYS 1100 XXL

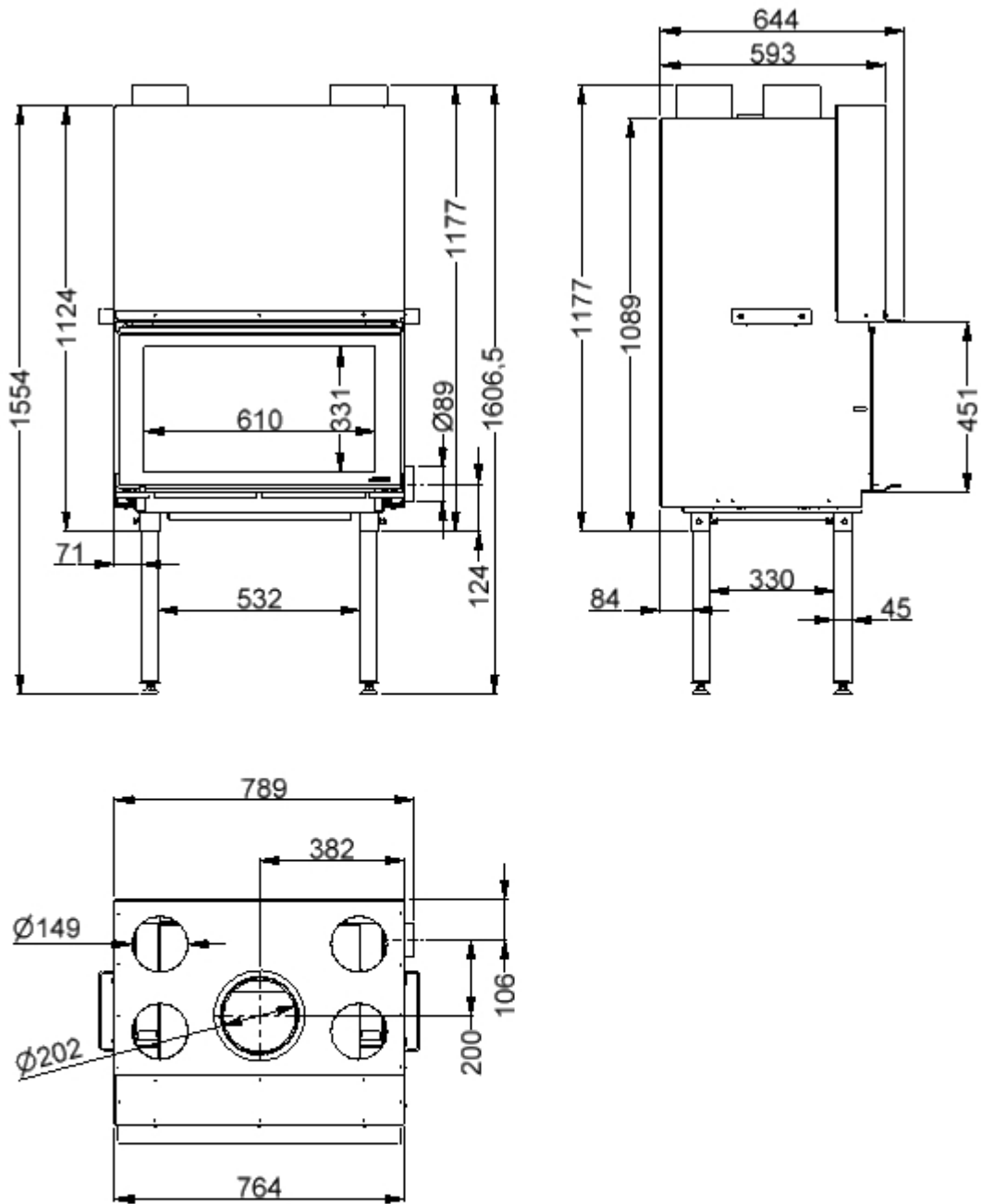
		<b>ULYS 600</b>	<b>ULYS 700</b>	<b>ULYS 800</b>	<b>ULYS 900</b>	<b>ULYS 1100</b>	<b>ULYS 1100XXL</b>
Rep	Ref article	BF58380	BF55380.1	BF56380	BF53380.1	BF57380	BF518380
1	BF40101	1	1	1	1	2	2
2	BF40102	1	1	1	1	2	2
3	BF53361		1			1	1
4	BF53372		1				
5	BF53369		2	2		2	
6	BF53367		2	2		2	
7	BF53364		1			1	1
8	BF53360				1		
9	BF53363				1		
10	BF53366				2		2
11	BF53368				2		2
12	BF53370				2		2
13	BF53371					2	
14	BF53362	1		1			
15	BF53365	1		1			
16	BF53374	2					
17	BF53375	2					
18	BF53376	1					
19	BF53373			2			
20	BF518370						1

# ULYS 600

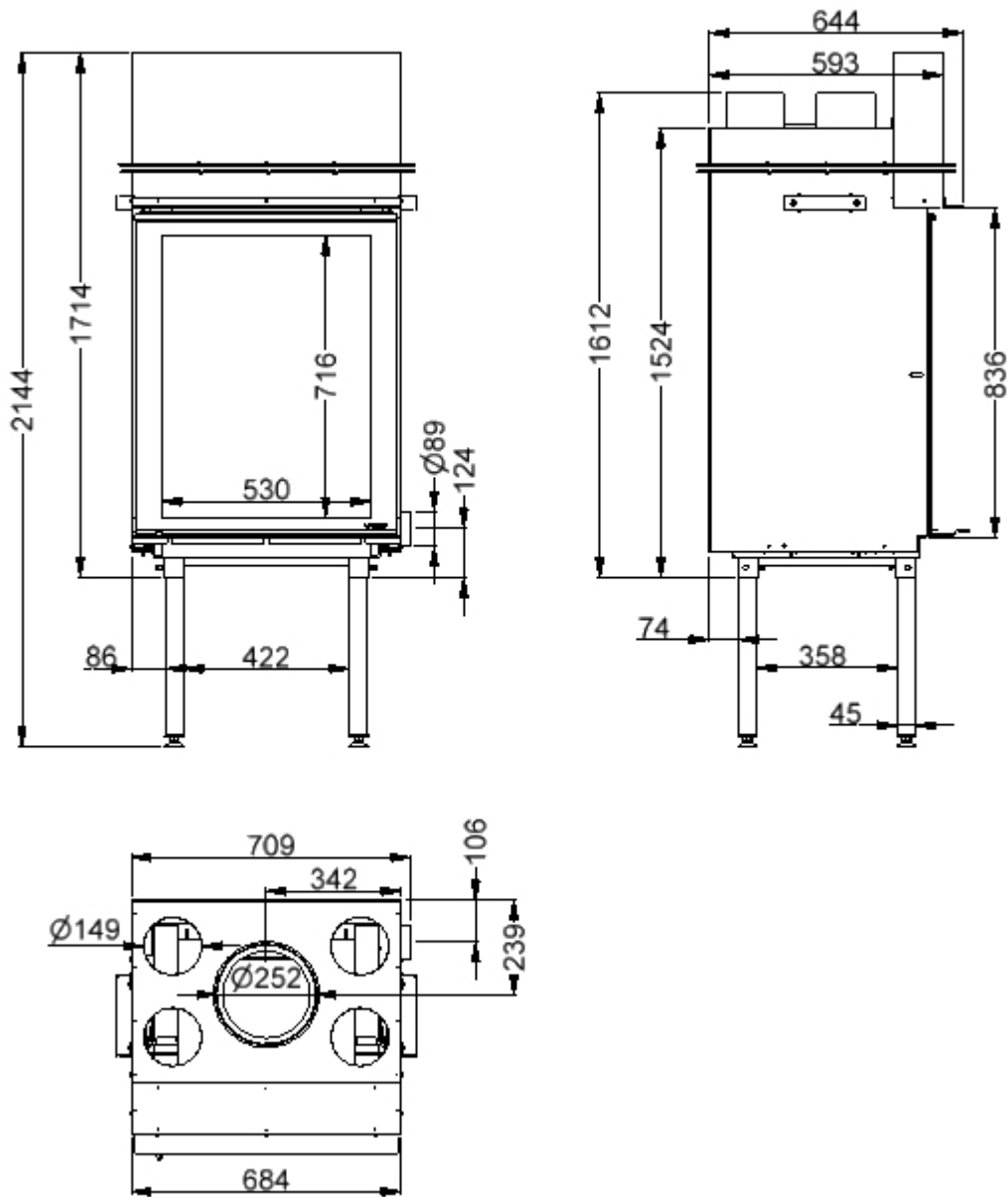




# ULYS 700

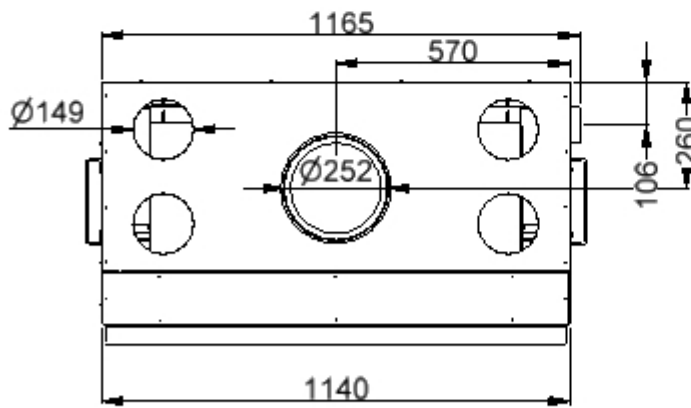
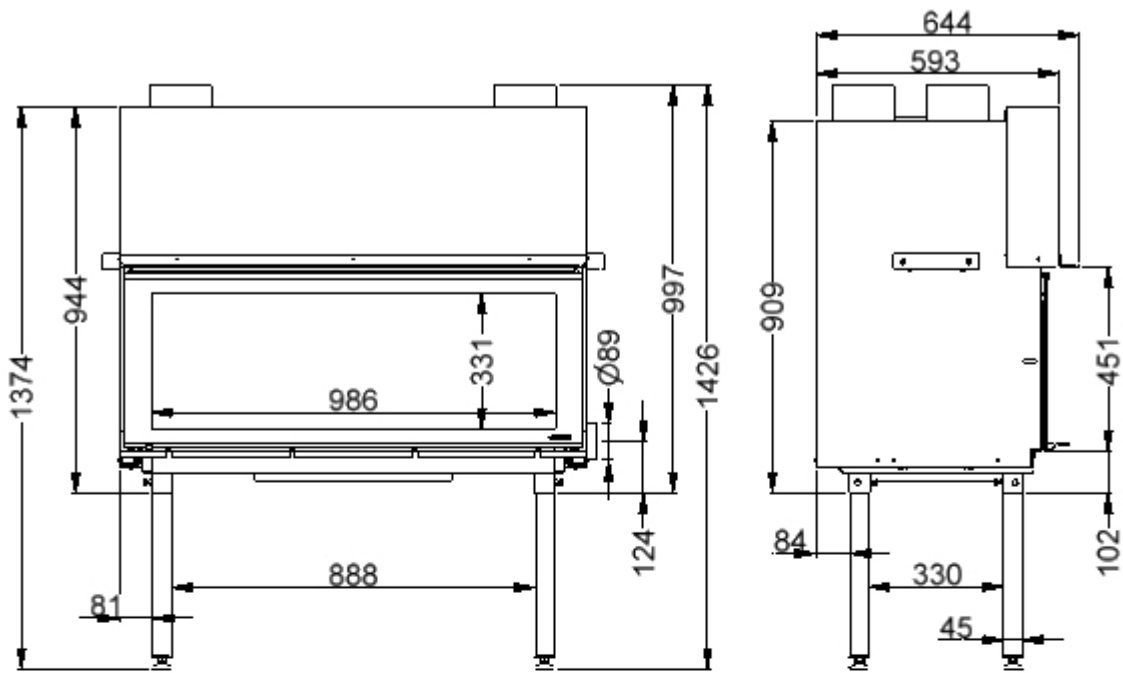


# ULYS 800V

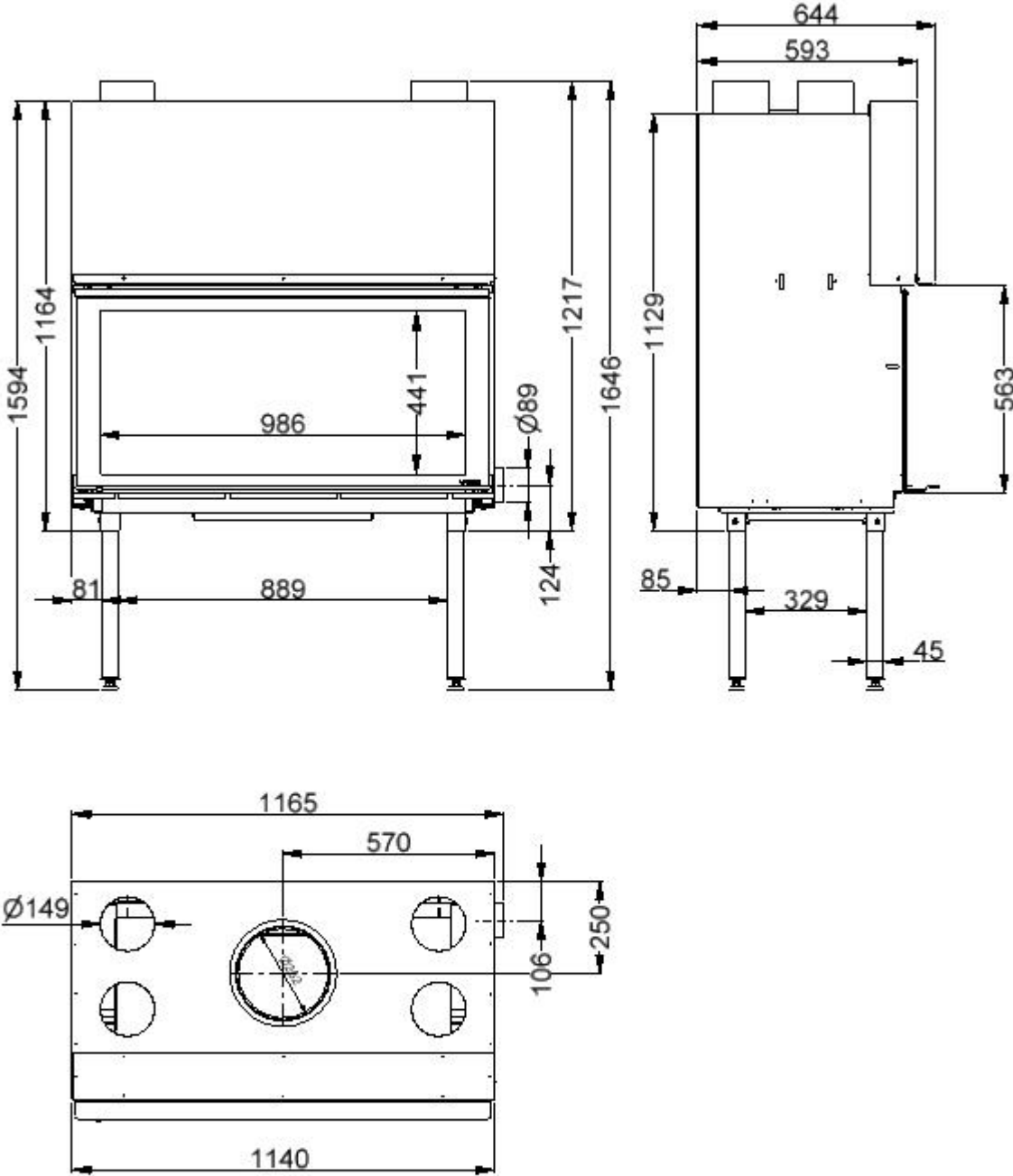




# ULYS 1100



# ULYS 1100 XXL





## DECLARATION CE DE CONFORMITE

### Ec Declaration of Conformity

**Le fabricant soussigné** : The undersigned manufacturer :

**FONDIS SA /ZI de Vieux-Thann, 18 rue Guy de Place-68801 THANN Cedex- France**

**Unité de production / Manufacturing plant : FONDIS**

**Déclare que l'équipement, désigné ci-après** : herewith declare that the products :

Modèle / Model	ULYS 600	ULYS 700	ULYS 700ZE	ULYS 800V	ULYS 900	ULYS 900ZE	ULYS 1100
Genre / Kind	Foyer à combustion solide/Inset appliance fired by solid fuel						
Classification / Categorisation	Appareil à porte fermée/Appliance operating with firedoors closed						
Marque / Trade Mark	FONDIS	FONDIS	FONDIS	FONDIS	FONDIS	FONDIS	FONDIS
Puissance nominale / Nominal heat output kW	11.0	10.6	10.5	13.5	15.9	14.7	14.0
Rendement / Efficiency	78.0 %	79.1 %	86.4 %	81.0 %	78.9 %	79.9 %	78.6 %
Co moyen / Co contenue (13% O <sub>2</sub> )	0.13 %	0.12 %	0.01 %	0.11 %	0.16 %	0.02 %	0.13 %
Emissions de CO (mg/m <sup>3</sup> O <sub>2</sub> 13%)	1635	1533	146	1298	1919	238	1576
Consommation Bois (kg/h)	3.04	2.53	2.59	3.58	4.32	3.96	3.81
Température moyenne des fumées (°C)	250	290	263	251	289	235	271

**Est conforme** / is in conformity :

\* à la norme européenne EN13229 de juin 2002. **Lorsqu'il est installé conformément aux instructions d'installation fournies dans la documentation.** When installed in accordance with the installation instructions contained in the product documentation

**La procédure d'attestation de la conformité appliquée comporte** / Provisions to which the products conforms

<b>Examen CE de type initial</b> <i>EC Initial type testing</i>	<b>Sous la responsabilité</b> <i>Under the responsibility</i>
	FONDIS SA, ZI de Vieux Thann, 18 Rue Guy de Place 68801 Thann Cedex- France

Vieux- Thann—France Date : 04/10/2010

**Nom** / Name : Frédéric HAAS  
**Qualité** / Position : Directeur Technique / Technical Manager

**Our responsibility is limited to the appliance in accordance with the standard in force when this document was printed.**



### **FIREPLACE CHARACTERISTICS**

	<b>Length</b>	<b>Height</b>	<b>Width</b>	<b>Weight</b>
ULYS 900	915 mm	1618 mm	644 mm	264 kg
ULYS 700	764 mm	1365 mm	644 mm	200 kg
ULYS 1100	1165 mm	996.5 mm	644 mm	270 kg
ULYS 800V	764 mm	1365 mm	644 mm	200 kg
ULYS 600	684 mm	1852 mm	650 mm	244 kg
ULYS XXL	1165 mm	1217 mm	647 mm	325 kg

**For manufacturing reasons, dimensional variations may occur compared to theoretical dimensions. This is due to tolerance and manufacturing imperatives. In addition, given the expansion of the various materials, the appliance may show some slight deformation when hot.**

# SUMMARY

## **EXPLODED VIEW DECLARATION DE CONFORMITE FIREPLACE CHARACTERISTICS**

### **1. INSTALLATION GUIDE**

1.1. RESPONSIBILITIES	15
1.1.1. INSTALLER'S RESPONSIBILITIES	15
1.1.2. OBSERVANCE OF REGULATIONS	15
1.2. CHIMNEY FLUE	15
1.2.1. NEW FLUE	15
1.2.2. EXISTING FLUE	15
1.2.3. DIMENSIONS OF THE CHIMNEY FLUE	16
1.2.4. DISTANCE OF THE CHIMNEY FLUE IN RELATION TO FUEL MATERIALS	
1.3. OUTSIDE AIR INLET	17
1.4. INSTALLATION AND MINIMUM DIMENSIONS OF THE FIREPLACE	17
1.4.1. INSTALLATION OF THE FIREBOX	17
1.4.2. FITTING AND LEVEL CONTROL	18
1.4.3. MINIMUM DIMENSIONS OF THE FIREPLACE	19
1.4.4. FLOOR	19
1.5. VENTILATION OF THE HOOD	20
1.5.1 CONVECTIVE AIR INLET	20
1.5.2 CONVECTIVE AIR OUTLET	20
1.6. PARTITION INSULATION	21
1.6.1. WALL AND CEILING INSULATION	21
1.6.2. INSULATION OF THE WOOD NICHE	21
1.7. CONNECTION OF THE APPLIANCE	21

### **2. USER GUIDE**

2.1. WARNINGS	23
2.2. FIRST FIRES	23
2.3. FIREBOX IGNITION	23
2.4. LOADING	23
2.5 2.5. RELOADING	23
2.6. POWER LEVEL SETTING	24
2.6.1. OPEN FIREBOX OPERATION	24
2.7. CHOICE OF FUEL	24
2.8. MAINTENANCE	25
2.8.1. GLASS	25
2.8.2. REFRACTORY LINING	25
2.8.3. ASHES	25
2.8.4. PAINT	25



2.8.5. SEALING JOINTS	25
2.8.6. CHIMNEY SWEEPING	
2.8.7. ANNUAL SERVICE	26
<b><u>3.3. CONTRACTUAL WARRANTY</u></b>	27
<b><u>4.4. ANNEXES</u></b>	28
4.1. OPERATION DIAGNOSTIC	28
4.2. FROM TREE TO FIRE	29

# 1.INSTALLATION GUIDE

## 1.1. RESPONSIBILITIES

### 1.1.1. INSTALLER'S RESPONSIBILITIES

The person or company that carries out the installation of the fireplace is responsible for this installation, and also takes responsibility for the existing parts (chimney flue...)

They are hence expected to check the state of the existing installation and to carry out the necessary modifications to comply with current regulations.

### 1.1.2. OBSERVANCE OF REGULATIONS

The instructions and recommendations of the guide come in addition to current regulations. They do not replace them. We recommend that you familiarise yourself with the documents mentioned below. The installation of the appliance must be carried out following the DTU 24.2.2 technical guidelines. The chimney flue to which the appliance will be connected must comply with the DTU 24.1 and 24.2.2 guidelines or it will be the object of a technical notice from the C.S.T.B. (French Scientific and Technical Building Centre).

Since this fireplace is in compliance with current standards, it is strictly forbidden to modify the appliance in any way.

## 1.2. CHIMNEY FLUE

In the case of a chimney flue ending at the level of the ceiling (installation prior to the implementation of the current DTU), we draw your attention on the following requirements:

- either a junction of the connecting duct and the chimney duct ensuring the tightness and the thermal resistance of the installation,
- or appropriate casing of the throat at the stack base, following the rules of fire spacing.

### 1.2.1. NEW FLUE

The duct must be made with materials in compliance with current standards and with technical notice from the CSTB. The duct must also be able to sustain the maximum temperature of the appliance. The duct must be installed following the DTU guidelines, in particular regarding its thermal insulation.

### 1.2.2. EXISTING FLUE

One must check :

- - the compatibility of the duct with the use of wood as fuel,
- - the tightness and vacuity of the duct (see DTU 24.1),
- - its general stability,

If the duct is not compatible, it is necessary to :

- either carry out a casing (see DTU 24.1) following a procedure with technical notice in favour of this particular use,
- install a duct lining,
- or install a new duct adapted to this use.

The tubing can descend to the nozzle of the appliance, if it is the object of a technical notice for the use as connecting duct.

### 1.2.3. DIMENSIONS OF THE CHIMNEY FLUE

The chimney flue must have a minimum rectangular or square section of X cm<sup>2</sup> and a length/width ratio of less than 2 or an equivalent section of minimum hydraulic diameter Øeq. mm. In the case of lining, this section can be brought back to CH cm<sup>2</sup>.

In the case of casing, and under certain conditions, the minimum diameter can be brought back to TU mm. It is highly recommended to have a duct of identical hydraulic diameter as the vent, i.e. of diameter Øint. mm (Female nozzle Øint). Moreover, the top of the chimney must be above the roof ridge by at least 40 cm. In any case, and in order for the fireplace to operate properly, the draft (TI) of the duct must be between 10 and 30 Pa (1 to 3 mm of water column). Outside these ranges, an insufficient draft will lead to fume backdrafts and an excessive draft will lead to runaway combustion and fireplace damage.

The draft can be regulated using a draft moderator set to 2 mm of water column.

Ø int	X	Ø eq.	CH mini	TU mini
230 mm	400 cm <sup>2</sup>	200 mm	350 cm <sup>2</sup>	180 mm

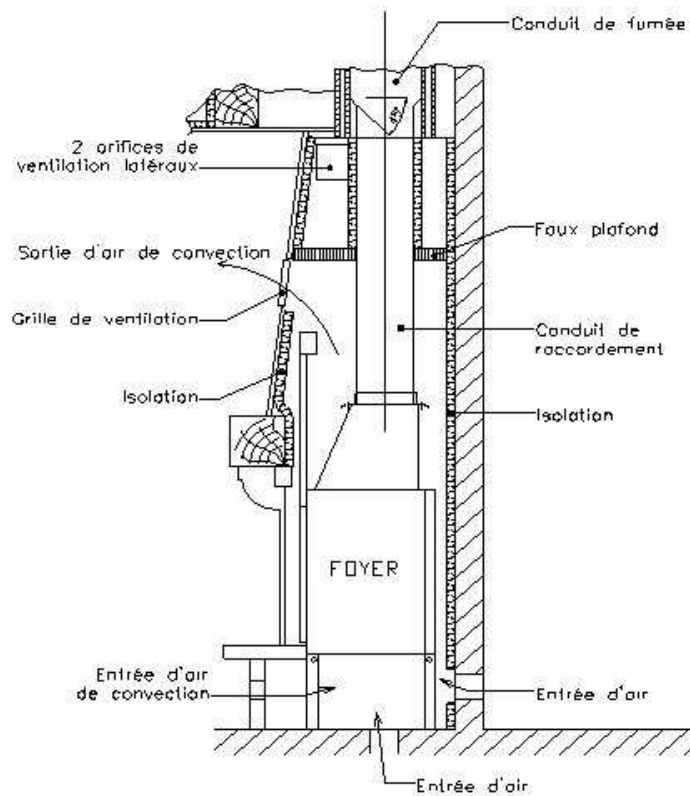
### 1.2.4. DISTANCE OF THE CHIMNEY FLUE IN RELATION TO FUEL MATERIALS

**The minimum space between the inside wall of the duct and any combustible material is 16 cm unless a technical notice of the CSTB specifies a different distance.**

Even if the fire spacing requirements are followed, a supplementary insulation made with M0 class insulant will provide improved safety.

In the living spaces, the ducts must be covered with a dressing providing a thermal insulation sufficient to limit the surface temperature to 50°C.

- Across attics and lofts, ducts must have suitable insulation.



### 1.3. OUTSIDE AIR INLET

If the ventilation inside the room where the appliance is installed is insufficient (new house or controlled mechanical ventilation system), an inlet of outside air specifically for the fireplace operation must be added.

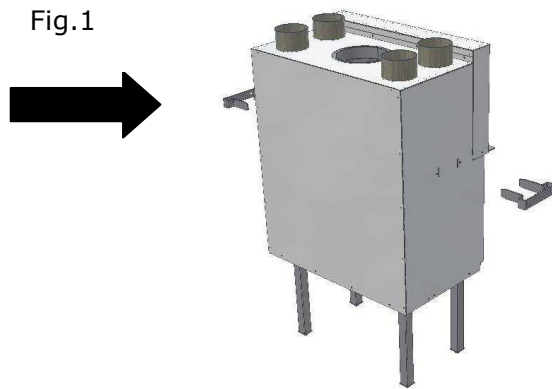
### 1.4. INSTALLATION AND MINIMUM DIMENSIONS OF THE FIREPLACE

#### 1.4.1. INSTALLATION OF THE FIREBOX

It is important to follow our recommendations, as follows, in order to ensure the optimum safety for the user.

**ATTENTION, REALISER L'ARRIVEE D'AIR EXTERIEUR ET LA MISE A NIVEAU DE L'APPAREIL AVANT DE POSER LE FOYER.**

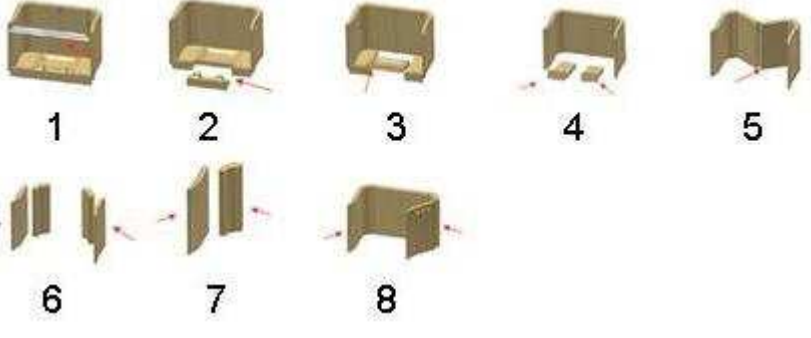

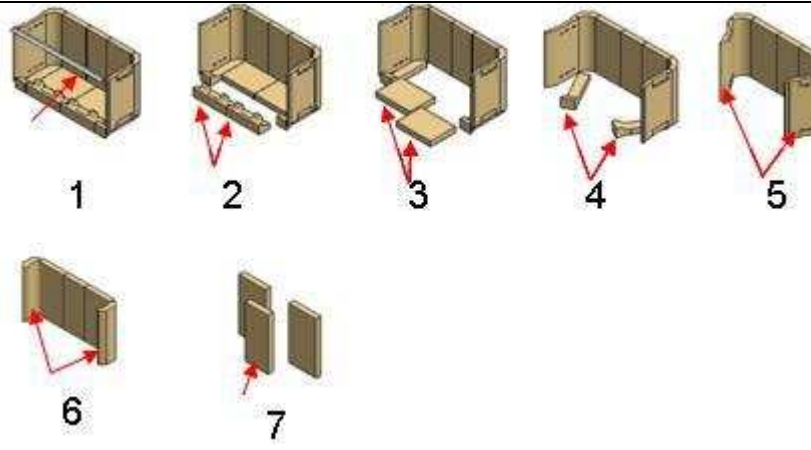
**IMPORTANT ! Avant toute utilisation, démonter les poignées latérales du carénage de chaque côté du foyer en devissant les vis de fixation (2 pour chaque poignée), afin de libérer les contres poids et ainsi pouvoir manoeuvrer la porte.**



1.4.2. FITTING AND LEVEL CONTROL

\*\* In order to lighten the appliance and facilitate handling, it is possible to remove the refractory from the firebox.

<p>ULYS600</p>	<p>1 2 3 4 5</p>
<p>ULYS700</p>	<p>1 2 3 4 5</p>
<p>ULYS800V</p>	<p>1 2 3 4 5</p>

ULYS900	 <p>1 2 3 4 5</p> <p>6 7 8</p>
ULYS1100	 <p>1 2 3 4 5</p>
ULYS XXL	 <p>1 2 3 4 5</p> <p>6 7</p>

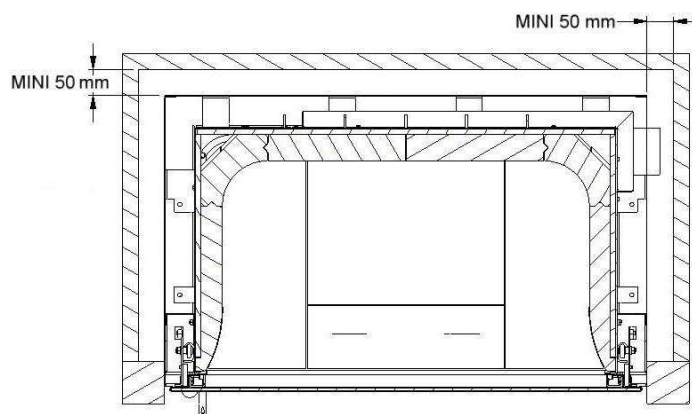


**In order to facilitate the attachment of the two collars, the firebox can be laid on the face opposite the door. Locking of the nuts is done with the firebox standing.**

**ATTENTION, PREPARE THE OUTSIDE AIR INLET BEFORE INSTALLING THE FIREPLACE.**

#### 1.4.3. MINIMUM DIMENSIONS OF THE FIREPLACE

The appliance must be sufficiently ventilated so it does not overheat its surrounding. Thus is essential to respect the minimum dimensions of the chimney.



ATTENTION, THESE DIMENSIONS DO NOT INCLUDE THE REQUIRED THERMAL INSULATION. THEY ARE TO BE MARKED UP BY THE THICKNESS OF THE INSULANT.

#### 1.4.4. FLOOR

The appliance will be mounted on floors with a suitable bearing capacity and, if an existing construction does not allow for such an installation, appropriate methods (for example a load distribution plate) must be implemented.

### 1.5. VENTILATION OF THE HOOD

It is compulsory that the hood is ventilated using natural convection. The ventilation of the hood will be carried out by one or more fresh air inlets under or at the back of the appliance and one or more hot air outlets in the upper part of the hood.

NON COMPLIANCE WITH THE DIRECTIVES WILL LEAD THE APPLIANCE AND ITS SURROUNDING TO OVERHEAT, AND POSSIBLE DAMAGE, SOILING,...

#### 1.5.1 CONVECTIVE AIR INLET

It is compulsory to build an inlet of convective air at the base of the firebox. This inlet must have a minimum nominal section of  $E \text{ cm}^2$  (actual surface of air passage).

Even if the air entry comes through a wood niche, the actual surface of convective air passage must imperatively be respected.

#### 1.5.2 CONVECTIVE AIR OUTLET

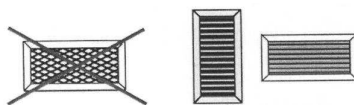
One (or more) convective air outlet(s) of free minimum nominal section of  $S \text{ cm}^2$  must be built to evacuate the convective air. To be built as high as possible in relation to the suspended ceiling, and at least 30 cm from the ceiling of the room.

	CONVECTIVE AIR INLET <b>E</b>	CONVECTIVE AIR OUTLET <b>S</b>
ULYS 600	700 cm <sup>2</sup> MINI	800 cm <sup>2</sup> MINI
ULYS 900	700 cm <sup>2</sup> MINI	800 cm <sup>2</sup> MINI
ULYS 700	600 cm <sup>2</sup> MINI	700 cm <sup>2</sup> MINI
ULYS 1100	700 cm <sup>2</sup> MINI	800 cm <sup>2</sup> MINI
ULYS 800	700 cm <sup>2</sup> MINI	800 cm <sup>2</sup> MINI
ULYS XXL	700 cm <sup>2</sup> MINI	800 cm <sup>2</sup> MINI

IN THE CASE THE SECTIONS OF CONVECTIVE AIR OUTLETS ARE SUPERIOR, THE CONVECTIVE AIR INLET MUST HAVE A MINIMUM SECTION 0.77 TIMES THE SECTION OF CONVECTIVE AIR OUTLET.

AN INFERIOR SECTION OF CONVECTIVE AIR INLET WOULD CREATE A VACUUM PRESSURE IN THE HOOD AND COULD LEAD TO FUME BACKDRAFTS.

**The lattices of the hot air outlet must allow service and maintenance of the firebox.**



## 1.6. PARTITION INSULATION

In order to follow the technical specifications of DTU 24.2, it is necessary to insulate the strut wall, the wood niche, the hood and possibly the side walls where the appliance is installed. In any case, the temperature of the ceiling, walls and floor must never be able to exceed 50°C on the surfaces opposite the firebox.

The following insulant is recommended by FONDIS: Rockwool of minimum thickness 30 mm covered with a 40 µm aluminium sheet. The aluminium sheet is to be placed on the side of the heat source. This insulant must be able to sustain a continuous temperature of 600°C.

It can be ordered at your local FONDIS retailer or at:

FONDIS SA  
18 rue Guy de Place  
ZI Vieux Thann  
68800 Vieux Thann

Tel: +33 (0)3 89 37 75 00  
Fax: +33 (0)3 89 37 75 89  
contact@fondis.com

**FONDIS WILL NOT BE HELD RESPONSIBLE IN THE CASE WHERE AN INSULANT WITH CHARACTERISTICS DIFFERENT TO THOSE MENTIONED ABOVE IS USED.**

### 1.6.1. WALL AND CEILING INSULATION

The insulant must be placed such that it is outside the insertion limits of the firebox indicated on the figure.

### 1.6.2. INSULATION OF THE WOOD NICHE

In the case where a bucher is present under the firebox, it is necessary to have the sole plate thermal insulated by placing 3 cm of insulant under the firebox sole plate and leaving a 3 cm gap between the insulant and the firebox.



## 1.7. CONNECTION OF THE APPLIANCE

The firebox must be connected to the duct using one of the means described in DTU 24.2.2. All the elements necessary to this connection are marketed by FONDIS S.A.

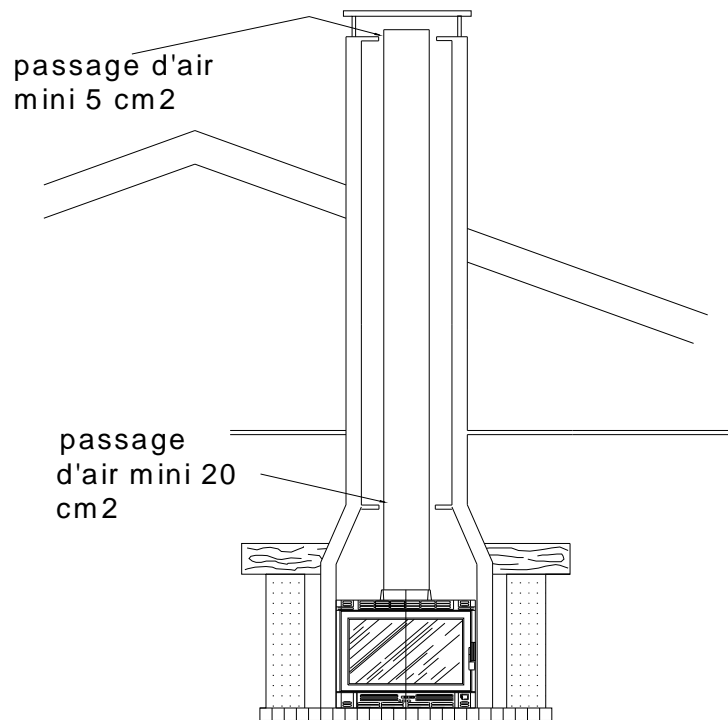
### FIREBOX CONNECTION USING A FLEXIBLE STAINLESS STEEL DUCT

In the case of a connection of the firebox with a flexible stainless steel duct (with technical notice): exclusively use the REDI FONDIS adaptative part to imperatively attach to the firebox nozzle. Ref. = REDI...(+ vent diam. + flexible casing inside diam.).

Ex: REDI2320

### PRINCIPLE OF CASING COMING DIRECTLY FROM THE INSERT

The casing is the introduction, inside the existing chimney flue, of an independent tube (see NFP 51-201 / DTU 24.1). In no case can it be considered as a defective duct repair, and neither to have the effect of restoring its integrity and/or stability.



## 2. USER GUIDE

### 2.1. WARNINGS

All national and local regulations and European Standards shall be complied with when installing the appliance

THE USER GUIDE IS INTENDED FOR THE USER. PLEASE READ IT CAREFULLY. FOLLOWING THE GUIDELINES WILL ENSURE THE GOOD OPERATION AND OPTIMUM SAFETY.

The outside surfaces of the appliance are hot while it operates and for many hours after it stops, beware not to touch it.

Any modification made to the appliance will cancel the responsibility of Fondis in case of accidents.

It is recommended that only original spare parts are used, provided by your reseller or directly by Fondis.

IN CASE OF A CHIMNEY FIRE : completely shut the draft and call the fire brigade. Once the fire is extinguished, the installation must be checked by a specialist before any further use.

### 2.2. FIRST FIRES

Thus for the first fires, it is important to progressively increase the temperature of the appliance by keeping the loading and air intake low. A smell and slight smoke, which will quickly subside, will come out through the hot air outlets during those first fires. This is caused by the stabilisation process of the paint (open the windows to vent the room for example). In case the smell and smoke persist, please contact your installer immediately.

### 2.3. FIREBOX IGNITION

Never use flammable products (alcohol, etc...) to start the fire. Place some crumpled sheets of newspaper in the centre of the firebox. Add some dry kindling on top, crossing the pieces. Open the primary air dampers. Light the paper.



**GENERALLY, DO NOT BRING ANY HEAT SENSITIVE OBJECT, PRODUCT OR MATERIAL CLOSE TO THE FIREBOX.**

## 2.4. LOADING

When the kindling is burning, load the firebox with some small or medium section logs then close the door. When the firebox is up to temperature (approximately 30 minutes), adjust the primary air dampers to obtain the desired regime.

Complete closing of the air inlets leads to very slow operation corresponding to reduced regime. We advise against using the firebox permanently in reduced mode. This mode of operation can lead to significant condensation and bistre in the appliance, the connection and the duct depending on the quality of the wood.



**OUTSIDE THE STARTING AND RESUMING PERIODS, IT IS IMPERATIVE TO OPERATE NORMAL OR REDUCED REGIME. HIGH, SUSTAINED REGIME WILL LEAD TO PREMATURE WEAR OF THE APPLIANCE AND CAN INCREASE THE RISK OF FIRE ACCIDENTS.**

THE DOOR MUST BE OPENED USING THE COLD HAND PROVIDED WITH THE APPLIANCE. BY OPENING SLOWLY, YOU WILL AVOID FUME BACKDRAFTS CAUSED BY THE DRAUGHT, AS WELL AS POTENTIAL EMBER FALL.

## 2.5. RELOADING



**NEVER EXCESSIVELY LOAD THE FIREBOX WITH FUEL.**

**IN NORMAL REGIME, THE RELEASED HEAT ALSO DEPENDS ON THE QUALITY AND QUANTITY OF WOOD USED.**

Open the door slowly (in 2 steps). Slowly add the wood load on the bed of embers. Close the door. A load of dry fire wood must never be excessive.

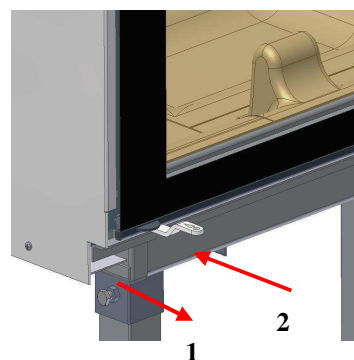
The next reloading must not be made less than 3 hours after the previous one. Optimum efficiency is reached with dry wood (less than 20% humidity) of maximum diameter 10 to 15 cm.



**For good operation, splitting the wood load must be avoided. It is preferable to place a full load and allow more time between loads.**

## 2.6. POWER LEVEL SETTING

The air damper at the bottom of the appliance serves to regulate the operating speed of the firebox, within a range of speeds between reduced speed and normal speed. The adjustment is done by positioning the damper: Ignition position 1 (damper out), Normal speed : position 2 (half damper)



**NEVER LEAVE THE DOOR AJAR TO OBTAIN A REGIME SUPERIOR TO THE ONE THE APPLIANCE IS DESIGNED FOR.**

## OPEN FIREBOX OPERATION

The efficiency is less important. If left unattended, even momentarily or during the night, operate solely with the firebox door closed.

## 2.7. CHOICE OF FUEL

The performance levels announced by the manufacturer are achieved in conditions defined by the current standard, and using dry fire wood (beech, hornbeam,...). Only compressed lignite briquettes may be used as a substitute.

The wood you use must be dry i.e. its humidity rate must be lower than 20 %. In order to obtain combustible wood, it is therefore essential to use it at the earliest 18 months after felling and cutting, including 6 months of storage under ventilated shelter.

Wood that is too fresh will lead to bad combustion which causes rapid bistrage of the chimney flue. Wet wood does not heat. The energy that the wood contains will be used up to evaporate its excess humidity, and hence lost for the user.

The calorific potential of wood doubles depending on whether it is wet or dry. Outside this energy consideration, the use of non-conditioned wood as fuel (green or wet) causes many disturbances : fume backdrafts, glass blackening, duct bistrage deposit (risk of chimney fire).

THE USE OF TREATED WOOD, FIBERWOOD AND COAL ARE STRICTLY FORBIDDEN.

RESINOUS WOOD CAUSES VIOLENT FIRES AND SHOULD NOT BE USED.  
YOUR FIREBOX IS NOT AN INCINERATOR (SOME DOMESTIC WASTE AND OTHER PACKAGING CAN BE EXTREMELY POLLUTING AND EVEN HARMFUL TO YOUR HEALTH).

OUTSIDE THE INSIGNIFICANT INTEREST THAT THESE MATERIALS PRESENT, THEIR USE WOULD QUICKLY AND PERMANENTLY DAMAGE THE APPLIANCE.

**ONLY USE NATURAL WOOD CONDITIONED FOR HEATING PURPOSES.**

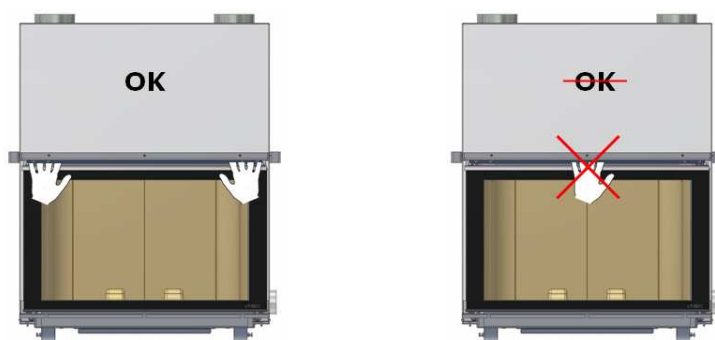
## 2.8. MAINTENANCE

### 2.8.1. GLASS

At ignition, it is recommended to leave the door slightly ajar for a few minutes. In effect, this will reduce condensation on the glass and consequently the amount of soot deposit.

Your firebox is equipped with glass that can be cleaned using products especially made to clean firebox glass, such as Net Vision®, without limitation on frequency.

Description of the system of door opening



### 2.8.2. REFRACTORY LINING

For the procedure of removal, see paragraph 1.4.2. page 12.

### 2.8.3. ASHES

It is recommended to regularly remove the ashes in order to avoid significant accumulation in the firebox and blocking of the air inlet that feeds combustion. The nature and quality of the wood influence the volume of ashes produced.

### 2.8.4. PAINT

Paint touch-ups can be made by the user with the Fondis high temperature paint (minimum 500°C) which can be purchased at the Support Centre.

### 2.8.5. SEALING JOINTS

It is important to periodically check the the tightness seals which are an important safety element. If necessary, replace them. They can be ordered at your local FONDIS store. These seals are found on the door frame and the edge of the glass.



**WARNING, DETERIORATION OF THE TIGHTNESS SEALS CAN SIGNIFICANTLY REDUCE THE PERFORMANCE OF THE APPLIANCE AND LEAD TO GLASS BREAKAGE THROUGH HARDENING.**

#### 2.8.6. CHIMNEY SWEEPING

The law imposes a minimum of two chimney sweeps every year (with at least one during the heating period), in order to ensure good vacuity and to reduce the risk of chimney fire. On this occasion, it is recommended to check the tightness of the connecting elements, and to ensure that the internal elements (deflectors, etc...) are effectively put back in place.

#### 2.8.7. ANNUAL SERVICE

Before any new heating season, the user must also check the good state of the wearing parts.

These spare parts are to be ordered at the Fondis reseller, indicating the corresponding references, as shown in the parte list. The best way to be served rapidly is to make early arrangements, i.e. BEFORE the heating season.

Indeed, just like chimney flues and their connection, fireboxes and their accessories (removable parts, assembly parts such as screws and nuts, seals, etc...) must, at the user's initiative, be the object of an annual check and more depending on usage.

It is also highly recommended to clean the interior of the installation (hood, dressing), and the hot air circulation vents (lattices) at the start of the heating season and regularly during the heating period in order to avoid any risk of overheating as well as the emission of air saturated in carbonised particles that are often the source of soiling on the walls and the ceiling.

The duct feeding fresh air (under the appliance) with its protection lattice (exterior) must also be checked and rid of any deposits and/or obstructions.

In case a draft moderator is installed, on the connection duct inside the hood, it must be checked before the heating season, and its potential setting exclusively carried out by a professional.



**SAFETY AND COMMON SENSE IMPOSE THE RESPECT OF THE MANUFACTURER'S GUIDELINES AND A MAINTENANCE SUITED TO THE USAGE, AT THE USER'S INITIATIVE.**

**ANY SIGN OF MALFUNCTION OR ABNORMALITY MUST REPORTED TO THE INSTALLER FOR AN IMMEDIATE INTERVENTION.**

**UNDER NO CIRCUMSTANCE SHOULD THE INSTALLATION BE RE-USED BEFORE AN INTERVENTION HAS BEEN CARRIED OUT TO REMOVE POTENTIAL FAULTS.**

## **3.WARRANTY**

### **LEGAL GUARANTEE**

The contractual guarantee is, to the advantage of the buyer, not exclusive of the legal guarantee for hidden defects and faults which applies according to the conditions of articles 1641 ff of the civil code.

### **CONTRACTUAL GUARANTEE**

During the term of the contractual of the contractual guarantee, FONDIS will replace all demonstrably defective pieces after the return of the incriminated piece to the distributor. The guarantee of the manufacturer gives the right to a free supply of the pieces that are necessary to repair the appliance after agreement of the after-sales service. The purpose of exchanging or repairing parts cannot be to prolong the term of the guarantee. Transport costs are covered by the user.

### **5 YEAR CONTRACTUAL GUARANTEE**

Thr 5 year guarantee for the firebox covers all defects of sealing between the firebox and the convection air, due to cracks and tears. The glass pane treatment Visioceram® is also guaranteed for 5 years against all defects of treatment, except a breaking of the glass.

### **2 YEAR CONTRACTUAL GUARANTEE**

Parts subject to wear, such as valve, valve rod, smoke box, heat exchanger, firedogs, hearth plates, hearth, interior cast-iron or refractory lining are covered by a 2-year contractual guarantee.

### **CASE OF EXCLUSION FROM THE GUARANTEE**

Our heating appliances are guaranteed against any defect of production or material, within the following limits:

- modification(s) of the appliance. In case of appliances heating with wood: removal of all or one of the sealing elements, modification of the air inlets, ...
- abnormal use of the appliance, such as an operation not conform to the conditions given in the instructions. For appliances heating with wood: burning of waste or coal.
- damages due to negligence, bad maintenance, wrong or inappropriate use of the appliance.
- the following pieces are excluded from the guarantee: broken glass pane(s), sealing joints, paintings, surface treatment of the decorative parts

### **CONDITIONS OF APPLICABILITY**

The contractual guarantee applies to all appliances that were installed and operated in accordance with the "Installation and operation instructions". It is dependent on the presentation of the purchase invoice or a copy thereof.

## 4. ANNEXES

### 4.1. OPERATION DIAGNOSTIC

DIAGNOSIS	SOLUTION
DIFFICULT IGNITION	CHECK THAT THE AIR INLETS ARE CLEARED CHECK THE DRAFT OF THE DUCT CHECK THE QUALITY OF THE WOOD
SMOKE EMISSION WHEN OPENING THE DOOR	IN CASE OF VERY LOW DRAFT, REMOVE THE DEFLECTOR CHECK IF THE OUTSIDE AIR INTAKE IS SUFFICIENT (OPEN A DOOR OR A WINDOW) CHECK THE VACUITY OF THE DUCT CHECK THE DRAFT OF THE DUCT
LACK OF HEATING	INCREASE THE LOAD IN THE FIREBOX USE WOOD THAT IS DRIER INCREASE THE OPENING OF COMBUSTION AIR INLETS CHECK THE STATE OF TIGHTNESS SEALS OF THE DOOR MAKE SURE THE HOT AIR CIRCULATION IS NOT PERTURBED
IMPORTANT BISTRE DEPOSIT IN THE DUCT	USE WOOD THAT IS DRIER AVOID SLOW OPERATION BY INCREASING COMBUSTION AIR INLET CHECK INSULATION OF DUCT IN COLD AREAS (ATTIC)
THE GLASS BLACKENS VERY QUICKLY	AVOID SLOW OPERATION BY INCREASING COMBUSTION AIR INLET USE WOOD THAT IS DRIER



**In doubt, please contact your installer or the FONDIS Consumer Service**



## 4.2. FROM TREE TO FIRE

NOW THAT YOU HAVE A BEAUTIFUL FIREPLACE AND FOR YOUR FULL SATISFACTION, REMEMBER THE FOLLOWING :

Freshly cut wood contains water (up to half its weight).

***Fire wood worthy of such a name must have been sawn, cut (maximum 10 to 15 cm sections), dried and stored under ventilated shelter, OUTSIDE for at least TWO YEARS.***

(Beware! Large logs dry more slowly and some varieties of wood (oak) can require up to 4/5 years drying !)

When you light the fire, temperature rises, the water contained in the wood starts to boil. A fire sufficiently sustained from the start allows to evacuate the water vapour produced in this way.

Past this first phase, dry wood burns well and transforms its energy into heat. The fumes produced also burn thanks to a sufficient feed of combustive air (significantly limiting polluting emissions).

With wet wood (over 20 % humidity) the heating sensation is mediocre since the energy released during combustion is used to dry the wood in the firebox.

In addition, the fumes clog the appliance (especially the glass) and leave into the duct, leading to the formation of bistre, itself the cause of chimney fire.

**The fire starts better if the air from the duct is warmed up.**

In order to do this, crumple (not too much) some paper (not from ads or magazines which contain polluting inks), lay dry twigs, kindling some raised small logs without crushing the arrangement.

Favour wood from hard broadleaf trees (beech, hornbeam, ... which dry faster). They produce a good heat slowly. (softwood should be avoided. They quickly clog the ducts, burn too strongly).

AND REMEMBER THAT ...

The best wood does not burn well if it is not dry.

It requires air for good combustion.

The burning gases release the energy they contain (up to 30 % in wood)(without forming tar or polluting emissions).

It is essential to create a good ember bed and to reload (respecting the various phases of combustion) for improved range.

When there is no more clear flame, the gases have burned, wood charcoal remains (incandescence). It burns nearly without any flames, all the while producing excellent heat.

Finally, ember remains and will continue to produce heat by radiating (always keep an «insulating» ember bed in your firebox).

**Wood, an abundant, renewable, low cost source of energy, synonym of contentment and comfortable living, is a very contemporary energy.**

If you have any further questions, please do not hesitate to contact our installer or to call us :